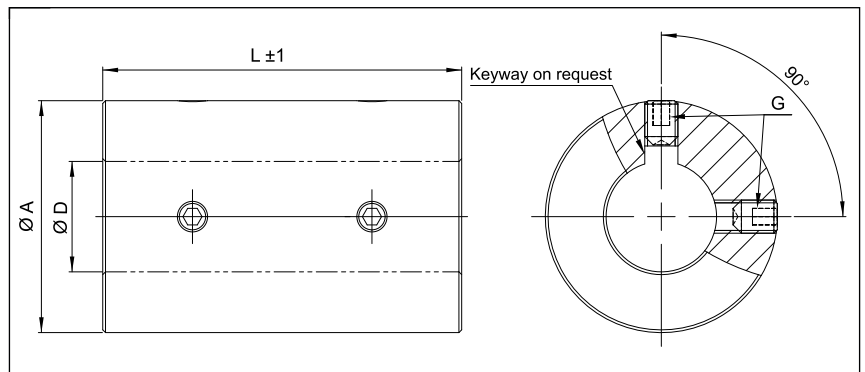


Rigid Shaft Coupling  
 set screws

# KBST1


**Order Code**
**KBST1 - 25**

Steel blackened

Type

Size

Rigid shaft coupling - Steel blackened

| Size | Torque Steel<br>Nm | Dimensions |           |         | Screw<br>(ISO4762) | Tightening<br>Torque<br>Screws Nm | Mass<br>g |
|------|--------------------|------------|-----------|---------|--------------------|-----------------------------------|-----------|
|      |                    | Ø D<br>mm  | Ø A<br>mm | L<br>mm |                    |                                   |           |
| 6    | 4                  | 6          | 18        | 30      | M4x5               | 2.2                               | 47        |
| 8    | 8                  | 8          | 24        | 35      | M4x8               | 2.2                               | 102       |
| 10   | 12                 | 10         | 29        | 45      | M5x8               | 4                                 | 185       |
| 12   | 17                 | 12         | 29        | 45      | M6x8               | 7.2                               | 180       |
| 14   | 30                 | 14         | 34        | 50      | M6x8               | 7.2                               | 272       |
| 15   | 32                 | 15         | 34        | 50      | M6x8               | 7.2                               | 266       |
| 16   | 35                 | 16         | 34        | 50      | M6x8               | 7.2                               | 261       |
| 20   | 70                 | 20         | 42        | 65      | M6x8               | 7.2                               | 518       |
| 25   | 135                | 25         | 45        | 75      | M8x6               | 17                                | 623       |
| 30   | 155                | 30         | 53        | 83      | M8x10              | 17                                | 920       |
| 35   | 230                | 35         | 67        | 95      | M8x10              | 17                                | 1880      |
| 40   | 310                | 40         | 77        | 108     | M10x14             | 33                                | 2710      |
| 50   | 490                | 50         | 85        | 124     | M10x14             | 33                                | 3520      |