

Řetězová kola

pro válečkový řetěz 04B-1, materiál C45

S nábojem

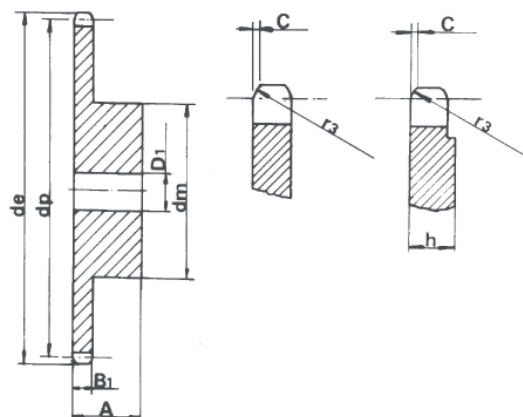
Řetěz. kolo:

Řetěz:

| | | | |
|-------|----------------------------------|---------------|--------|
| r_3 | 6 mm | Rozteč | 6 mm |
| C | 0,7 mm | Vnitřní šířka | 2,8 mm |
| B_1 | 2,6 mm | Váleček | 4 mm |
| h | 4 mm pro kola s počtem z-57 a 76 | | |

| Rozteč 6x2,8 | | | | SIMPLEX | | |
|-----------------|------------|-------|--------|---------|----|-----|
| Objednací číslo | Počet zubů | d_e | d_p | d_m | A | D1* |
| 8-04B-1N | 8 | 18,0 | 15,67 | 9,8 | 10 | 5 |
| 9-04B-1N | 9 | 19,9 | 17,54 | 11,5 | 10 | 5 |
| 10-04B-1N | 10 | 21,7 | 19,42 | 13 | 10 | 6 |
| 11-04B-1N | 11 | 23,6 | 21,30 | 14 | 10 | 6 |
| 12-04B-1N | 12 | 25,4 | 23,18 | 16 | 10 | 6 |
| 13-04B-1N | 13 | 27,3 | 25,05 | 18 | 10 | 8 |
| 14-04B-1N | 14 | 29,2 | 26,96 | 20 | 10 | 8 |
| 15-04B-1N | 15 | 31,0 | 28,86 | 20 | 10 | 8 |
| 16-04B-1N | 16 | 33,0 | 30,76 | 20 | 13 | 8 |
| 17-04B-1N | 17 | 35,0 | 32,65 | 20 | 13 | 8 |
| 18-04B-1N | 18 | 36,9 | 34,55 | 20 | 13 | 8 |
| 19-04B-1N | 19 | 38,8 | 36,44 | 20 | 13 | 8 |
| 20-04B-1N | 20 | 40,7 | 38,34 | 20 | 13 | 8 |
| 21-04B-1N | 21 | 42,6 | 40,25 | 25 | 13 | 8 |
| 22-04B-1N | 22 | 44,5 | 42,16 | 25 | 13 | 8 |
| 23-04B-1N | 23 | 46,4 | 44,06 | 25 | 13 | 8 |
| 24-04B-1N | 24 | 48,3 | 45,96 | 25 | 13 | 8 |
| 25-04B-1N | 25 | 50,2 | 47,87 | 25 | 13 | 8 |
| 26-04B-1N | 26 | 52,1 | 49,76 | 30 | 15 | 8 |
| 27-04B-1N | 27 | 54,0 | 51,67 | 30 | 15 | 8 |
| 28-04B-1N | 28 | 55,9 | 53,58 | 30 | 15 | 8 |
| 29-04B-1N | 29 | 57,8 | 55,50 | 30 | 15 | 8 |
| 30-04B-1N | 30 | 59,8 | 57,42 | 30 | 15 | 8 |
| 31-04B-1N | 31 | 61,7 | 59,31 | 30 | 15 | 8 |
| 32-04B-1N | 32 | 63,6 | 61,21 | 30 | 15 | 8 |
| 33-04B-1N | 33 | 65,5 | 63,11 | 30 | 15 | 8 |
| 34-04B-1N | 34 | 67,4 | 65,02 | 30 | 15 | 8 |
| 35-04B-1N | 35 | 69,3 | 66,93 | 30 | 15 | 8 |
| 36-04B-1N | 36 | 71,2 | 68,84 | 30 | 15 | 8 |
| 37-04B-1N | 37 | 73,1 | 70,75 | 30 | 15 | 8 |
| 38-04B-1N | 38 | 75,0 | 72,66 | 30 | 15 | 8 |
| 39-04B-1N | 39 | 76,9 | 74,57 | 30 | 15 | 8 |
| 40-04B-1N | 40 | 78,9 | 76,47 | 30 | 15 | 8 |
| 45-04B-1N | 45 | 88,5 | 86,01 | 40 | 16 | 10 |
| 50-04B-1N | 50 | 98,0 | 95,55 | 50 | 20 | 12 |
| 57-04B-1N | 57 | 111,4 | 108,93 | 50 | 20 | 12 |
| 76-04B-1N | 76 | 147,6 | 145,19 | 60 | 20 | 12 |

* Hodnoty se mohou lišit.

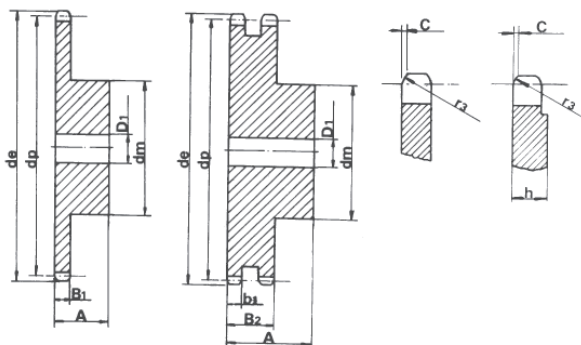


Řetězová kola

pro válečkový řetěz 05B-1-2, materiál C45

S nábojem

| | | | |
|------------------------------------|--------------------|--|--|
| Řetěz. kolo: | Řetěz: | | |
| r_3 8 mm | Rozteč 8 mm | | |
| C 1 mm | Vnitřní šířka 3 mm | | |
| B_1 2,8 mm | Váleček 5 mm | | |
| b_1 2,7 mm | | | |
| B_2 8,3 mm | | | |
| h 4 mm pro kola s počtem z-57 a 76 | | | |



| Objednací číslo | Rozteč 8x3 | | | SIMPLEX | | | DUPLEX | | |
|-----------------|------------|-------|--------|---------|----|--------|--------|----|--------|
| | Počet zubů | d_e | d_p | d_m | A | $D1^*$ | d_m | A | $D1^*$ |
| 8-05B-_N | 8 | 24,0 | 20,90 | 13 | 12 | 6 | 12 | 18 | 8 |
| 9-05B-_N | 9 | 26,6 | 23,39 | 15 | 12 | 6 | 15 | 18 | 8 |
| 10-05B-_N | 10 | 29,2 | 25,89 | 17 | 12 | 8 | 17 | 18 | 8 |
| 11-05B-_N | 11 | 31,7 | 28,39 | 18 | 13 | 8 | 19 | 18 | 10 |
| 12-05B-_N | 12 | 34,2 | 30,91 | 20 | 13 | 8 | 21 | 18 | 10 |
| 13-05B-_N | 13 | 36,7 | 33,42 | 23 | 13 | 8 | 24 | 18 | 10 |
| 14-05B-_N | 14 | 39,2 | 35,95 | 25 | 13 | 8 | 26 | 18 | 10 |
| 15-05B-_N | 15 | 41,7 | 38,48 | 28 | 13 | 8 | 29 | 18 | 10 |
| 16-05B-_N | 16 | 44,3 | 41,01 | 30 | 14 | 8 | 32 | 20 | 10 |
| 17-05B-_N | 17 | 46,8 | 43,53 | 30 | 14 | 8 | 34 | 20 | 10 |
| 18-05B-_N | 18 | 49,3 | 46,07 | 30 | 14 | 8 | 37 | 20 | 10 |
| 19-05B-_N | 19 | 51,9 | 48,61 | 30 | 14 | 8 | 39 | 20 | 10 |
| 20-05B-_N | 20 | 54,4 | 51,14 | 30 | 14 | 8 | 40 | 20 | 10 |
| 21-05B-_N | 21 | 57,0 | 53,68 | 35 | 14 | 8 | 40 | 20 | 10 |
| 22-05B-_N | 22 | 59,5 | 56,21 | 35 | 14 | 8 | 40 | 20 | 10 |
| 23-05B-_N | 23 | 62,0 | 58,75 | 35 | 14 | 8 | 40 | 20 | 10 |
| 24-05B-_N | 24 | 64,6 | 61,29 | 35 | 14 | 8 | 40 | 20 | 10 |
| 25-05B-_N | 25 | 67,5 | 63,83 | 35 | 14 | 8 | 40 | 20 | 10 |
| 26-05B-_N | 26 | 69,5 | 66,37 | 40 | 16 | 10 | 50 | 22 | 12 |
| 27-05B-_N | 27 | 72,2 | 68,91 | 40 | 16 | 10 | 50 | 22 | 12 |
| 28-05B-_N | 28 | 74,8 | 71,45 | 40 | 16 | 10 | 50 | 22 | 12 |
| 29-05B-_N | 29 | 77,3 | 73,99 | 40 | 16 | 10 | 50 | 22 | 12 |
| 30-05B-_N | 30 | 79,8 | 76,53 | 40 | 16 | 10 | 50 | 22 | 12 |
| 31-05B-_N | 31 | 82,4 | 79,08 | 40 | 16 | 10 | 60 | 22 | 12 |
| 32-05B-_N | 32 | 84,9 | 81,61 | 40 | 16 | 10 | 60 | 22 | 12 |
| 33-05B-_N | 33 | 87,5 | 84,16 | 40 | 16 | 10 | 60 | 22 | 12 |
| 34-05B-_N | 34 | 90,0 | 86,70 | 40 | 16 | 10 | 60 | 22 | 12 |
| 35-05B-_N | 35 | 92,5 | 89,25 | 40 | 16 | 10 | 60 | 22 | 12 |
| 36-05B-_N | 36 | 95,0 | 91,79 | 40 | 16 | 10 | 60 | 22 | 12 |
| 37-05B-_N | 37 | 97,6 | 94,33 | 40 | 16 | 10 | 60 | 22 | 12 |
| 38-05B-_N | 38 | 100,2 | 96,88 | 40 | 16 | 10 | 60 | 22 | 12 |
| 39-05B-_N | 39 | 102,7 | 99,42 | 40 | 16 | 10 | 60 | 22 | 12 |
| 40-05B-_N | 40 | 105,3 | 101,97 | 40 | 16 | 10 | 60 | 22 | 12 |
| 45-05B-_N | 45 | 118,0 | 114,69 | 60 | 20 | 12 | | | |
| 50-05B-_N | 50 | 130,7 | 127,41 | 60 | 20 | 12 | | | |
| 57-05B-_N | 57 | 148,6 | 145,22 | 80 | 20 | 14 | | | |
| 76-05B-_N | 76 | 197,7 | 193,59 | 80 | 25 | 20 | | | |

* Hodnoty se mohou lišit.

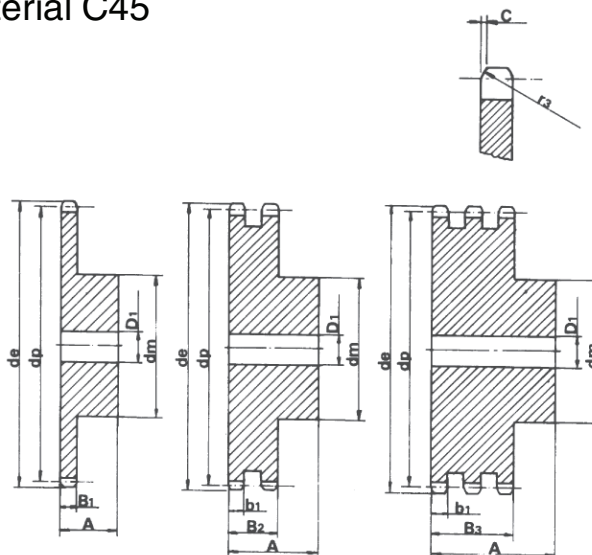
Do objednáčeho čísla je třeba doplnit pro kolo jednoduché 1 (10-05B-1N), pro dvojitě 2 (10-05B-2N).

Řetězová kola

pro válečkový řetěz 06B-1-2-3, materiál C45

S nábojem

| | | | |
|--------------|---------|---------------|----------|
| Řetěz. kolo: | Řetěz: | | |
| r_3 | 10 mm | Rozteč | 9,525 mm |
| C | 1 mm | Vnitřní šířka | 5,72 mm |
| B_1 | 5,3 mm | Váleček | 6,35 mm |
| b_1 | 5,2 mm | | |
| B_2 | 15,4 mm | | |
| B_3 | 25,6 mm | | |



| Rozteč 3/8"x7/32" | | | | SIMPLEX | | | DUPLEX | | | TRIPLEX | | |
|-------------------|------------|-------|--------|---------|----|---------|--------|----|---------|---------|----|---------|
| Objednáací číslo | Počet zubů | d_e | d_p | d_m | A | D_1^* | d_m | A | D_1^* | d_m | A | D_1^* |
| 8-06B-_N | 8 | 28,0 | 24,89 | 15 | 22 | 6 | 15 | 22 | 6 | 15 | 32 | 6 |
| 9-06B-_N | 9 | 31,0 | 27,85 | 18 | 22 | 8 | 18 | 22 | 8 | 18 | 32 | 8 |
| 10-06B-_N | 10 | 34,0 | 30,82 | 20 | 22 | 8 | 20 | 22 | 8 | 20 | 32 | 10 |
| 11-06B-_N | 11 | 37,0 | 33,80 | 22 | 25 | 8 | 22 | 25 | 10 | 22 | 35 | 10 |
| 12-06B-_N | 12 | 40,0 | 36,80 | 25 | 25 | 8 | 25 | 25 | 10 | 25 | 35 | 10 |
| 13-06B-_N | 13 | 43,0 | 39,79 | 28 | 25 | 10 | 28 | 25 | 10 | 28 | 35 | 10 |
| 14-06B-_N | 14 | 46,3 | 42,80 | 31 | 25 | 10 | 31 | 25 | 10 | 31 | 35 | 12 |
| 15-06B-_N | 15 | 49,3 | 45,81 | 34 | 25 | 10 | 34 | 25 | 10 | 34 | 35 | 12 |
| 16-06B-_N | 16 | 52,3 | 48,82 | 37 | 28 | 10 | 37 | 30 | 12 | 37 | 35 | 12 |
| 17-06B-_N | 17 | 55,3 | 51,83 | 40 | 28 | 10 | 40 | 30 | 12 | 40 | 35 | 12 |
| 18-06B-_N | 18 | 58,3 | 54,85 | 43 | 28 | 10 | 43 | 30 | 12 | 43 | 35 | 12 |
| 19-06B-_N | 19 | 61,3 | 57,87 | 45 | 28 | 10 | 46 | 30 | 12 | 46 | 35 | 12 |
| 20-06B-_N | 20 | 64,3 | 60,89 | 46 | 28 | 10 | 49 | 30 | 12 | 49 | 35 | 12 |
| 21-06B-_N | 21 | 68,0 | 63,91 | 48 | 28 | 12 | 52 | 30 | 12 | 52 | 40 | 14 |
| 22-06B-_N | 22 | 71,0 | 66,93 | 50 | 28 | 12 | 55 | 30 | 12 | 55 | 40 | 14 |
| 23-06B-_N | 23 | 73,5 | 69,95 | 52 | 28 | 12 | 58 | 30 | 12 | 58 | 40 | 14 |
| 24-06B-_N | 24 | 77,0 | 72,97 | 54 | 28 | 12 | 61 | 30 | 12 | 61 | 40 | 14 |
| 25-06B-_N | 25 | 80,0 | 76,00 | 57 | 28 | 12 | 64 | 30 | 12 | 64 | 40 | 14 |
| 26-06B-_N | 26 | 83,0 | 79,02 | 60 | 28 | 12 | 67 | 30 | 12 | 67 | 40 | 14 |
| 27-06B-_N | 27 | 86,0 | 82,05 | 60 | 28 | 12 | 70 | 30 | 12 | 70 | 40 | 14 |
| 28-06B-_N | 28 | 89,0 | 85,07 | 60 | 28 | 12 | 73 | 30 | 12 | 73 | 40 | 14 |
| 29-06B-_N | 29 | 92,0 | 88,09 | 60 | 28 | 12 | 76 | 30 | 12 | 76 | 40 | 14 |
| 30-06B-_N | 30 | 94,7 | 91,12 | 60 | 30 | 12 | 79 | 30 | 12 | 79 | 40 | 14 |
| 31-06B-_N | 31 | 98,3 | 94,15 | 65 | 30 | 14 | 80 | 30 | 16 | 80 | 40 | 16 |
| 32-06B-_N | 32 | 101,3 | 97,17 | 65 | 30 | 14 | 80 | 30 | 16 | 80 | 40 | 16 |
| 33-06B-_N | 33 | 104,3 | 100,20 | 65 | 30 | 14 | 80 | 30 | 16 | 80 | 40 | 16 |
| 34-06B-_N | 34 | 107,3 | 103,23 | 65 | 30 | 14 | 80 | 30 | 16 | 85 | 40 | 16 |
| 35-06B-_N | 35 | 110,4 | 106,26 | 65 | 30 | 14 | 80 | 30 | 16 | 85 | 40 | 16 |
| 36-06B-_N | 36 | 113,4 | 109,29 | 70 | 30 | 16 | 90 | 30 | 16 | 90 | 40 | 16 |
| 37-06B-_N | 37 | 116,4 | 112,32 | 70 | 30 | 16 | 90 | 30 | 16 | 90 | 40 | 16 |
| 38-06B-_N | 38 | 119,5 | 115,35 | 70 | 30 | 16 | 90 | 30 | 16 | 90 | 40 | 16 |
| 39-06B-_N | 39 | 122,5 | 118,37 | 70 | 30 | 16 | 90 | 30 | 16 | 90 | 40 | 16 |
| 40-06B-_N | 40 | 125,5 | 121,40 | 70 | 30 | 16 | 90 | 30 | 16 | 90 | 40 | 16 |

* Hodnoty se mohou lišit.

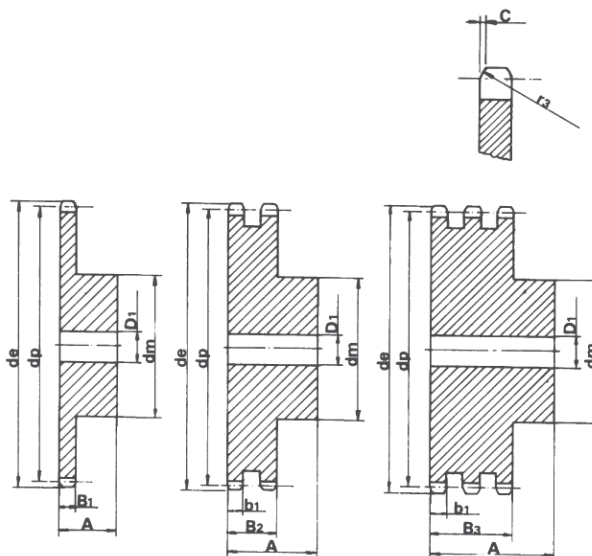
Do objednáacího čísla je třeba doplnit pro kolo jednoduché 1 (10-06B-1N), pro dvojité 2 (10-06B-2N), pro trojitě 3 (10-06B-3N).

Řetězová kola

pro válečkový řetěz 08B-1-2-3, materiál C45

S nábojem

| | | | |
|---------------|---------------|---------|--|
| Řetěz. kolo: | Řetěz: | | |
| r_3 13 mm | Rozteč | 12,7 mm | |
| C 1,3 mm | Vnitřní šířka | 7,75 mm | |
| B_1 7,2 mm | Váleček | 8,51 mm | |
| b_1 7 mm | | | |
| B_2 21 mm | | | |
| B_3 34,9 mm | | | |



| Rozteč 1/2"x5/16" | | | | SIMPLEX | | | DUPLEX | | | TRIPLEX | | |
|-------------------|------------|-------|--------|---------|----|---------|--------|----|---------|---------|----|---------|
| Objednací číslo | Počet zubů | d_e | d_p | d_m | A | D_1^* | d_m | A | D_1^* | d_m | A | D_1^* |
| 8-08B-_N | 8 | 37,2 | 33,18 | 20 | 25 | 10 | 20 | 32 | 10 | 20 | 46 | 10 |
| 9-08B-_N | 9 | 41,0 | 37,13 | 24 | 25 | 10 | 24 | 32 | 10 | 24 | 46 | 12 |
| 10-08B-_N | 10 | 45,2 | 41,10 | 26 | 25 | 10 | 28 | 32 | 10 | 28 | 46 | 12 |
| 11-08B-_N | 11 | 48,7 | 45,07 | 29 | 25 | 10 | 32 | 35 | 12 | 32 | 50 | 14 |
| 12-08B-_N | 12 | 53,0 | 49,07 | 33 | 28 | 10 | 35 | 35 | 12 | 35 | 50 | 14 |
| 13-08B-_N | 13 | 57,4 | 53,06 | 37 | 28 | 10 | 38 | 35 | 12 | 38 | 50 | 14 |
| 14-08B-_N | 14 | 61,8 | 57,07 | 41 | 28 | 10 | 42 | 35 | 12 | 42 | 50 | 14 |
| 15-08B-_N | 15 | 65,5 | 61,09 | 45 | 28 | 10 | 46 | 35 | 12 | 46 | 50 | 14 |
| 16-08B-_N | 16 | 69,5 | 65,10 | 50 | 28 | 12 | 50 | 35 | 14 | 50 | 50 | 16 |
| 17-08B-_N | 17 | 73,6 | 69,11 | 52 | 28 | 12 | 54 | 35 | 14 | 54 | 50 | 16 |
| 18-08B-_N | 18 | 77,8 | 73,14 | 56 | 28 | 12 | 58 | 35 | 14 | 58 | 50 | 16 |
| 19-08B-_N | 19 | 81,7 | 77,16 | 60 | 28 | 12 | 62 | 35 | 14 | 62 | 50 | 16 |
| 20-08B-_N | 20 | 85,8 | 81,19 | 64 | 28 | 12 | 66 | 35 | 14 | 66 | 50 | 16 |
| 21-08B-_N | 21 | 89,7 | 85,22 | 68 | 28 | 12 | 70 | 40 | 16 | 70 | 55 | 20 |
| 22-08B-_N | 22 | 93,8 | 89,24 | 70 | 28 | 12 | 70 | 40 | 16 | 70 | 55 | 20 |
| 23-08B-_N | 23 | 98,2 | 93,27 | 70 | 28 | 14 | 70 | 40 | 16 | 70 | 55 | 20 |
| 24-08B-_N | 24 | 101,8 | 97,29 | 70 | 28 | 14 | 75 | 40 | 16 | 75 | 55 | 20 |
| 25-08B-_N | 25 | 105,8 | 101,33 | 70 | 28 | 14 | 80 | 40 | 16 | 80 | 55 | 20 |
| 26-08B-_N | 26 | 110,0 | 105,36 | 70 | 30 | 16 | 85 | 40 | 20 | 85 | 55 | 20 |
| 27-08B-_N | 27 | 114,0 | 109,40 | 70 | 30 | 16 | 85 | 40 | 20 | 85 | 55 | 20 |
| 28-08B-_N | 28 | 118,0 | 113,42 | 70 | 30 | 16 | 90 | 40 | 20 | 90 | 55 | 20 |
| 29-08B-_N | 29 | 122,0 | 117,46 | 80 | 30 | 16 | 95 | 40 | 20 | 95 | 55 | 20 |
| 30-08B-_N | 30 | 126,1 | 121,50 | 80 | 30 | 16 | 100 | 40 | 20 | 100 | 55 | 20 |
| 31-08B-_N | 31 | 130,2 | 125,54 | 90 | 30 | 16 | 100 | 40 | 20 | 110 | 55 | 20 |
| 32-08B-_N | 32 | 134,3 | 129,56 | 90 | 30 | 16 | 100 | 40 | 20 | 110 | 55 | 20 |
| 33-08B-_N | 33 | 138,4 | 133,60 | 90 | 30 | 16 | 100 | 40 | 20 | 110 | 55 | 20 |
| 34-08B-_N | 34 | 142,6 | 137,64 | 90 | 30 | 16 | 100 | 40 | 20 | 110 | 55 | 20 |
| 35-08B-_N | 35 | 146,7 | 141,68 | 90 | 30 | 16 | 100 | 40 | 20 | 110 | 55 | 20 |
| 36-08B-_N | 36 | 151,0 | 145,72 | 90 | 35 | 16 | 110 | 40 | 20 | 120 | 55 | 25 |
| 37-08B-_N | 37 | 154,6 | 149,76 | 90 | 35 | 16 | 110 | 40 | 20 | 120 | 55 | 25 |
| 38-08B-_N | 38 | 158,6 | 153,80 | 90 | 35 | 16 | 110 | 40 | 20 | 120 | 55 | 25 |
| 39-08B-_N | 39 | 162,7 | 157,83 | 90 | 35 | 16 | 110 | 40 | 20 | 120 | 55 | 25 |
| 40-08B-_N | 40 | 166,8 | 161,87 | 90 | 35 | 16 | 110 | 40 | 20 | 120 | 55 | 25 |

* Hodnoty se mohou lišit.

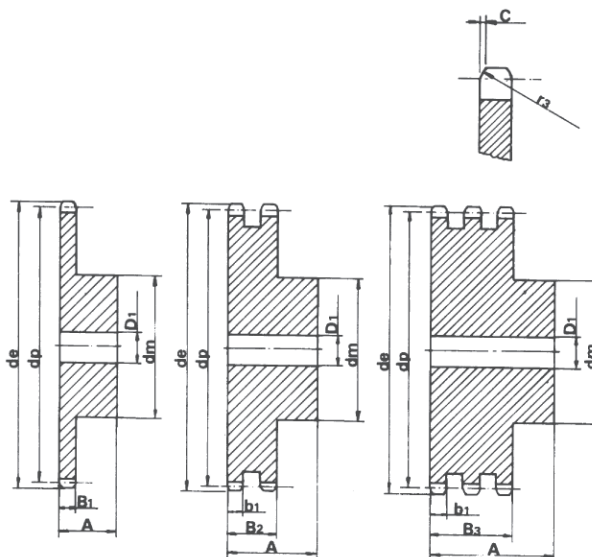
Do objednáčích čísel je třeba doplnit pro kolo jednoduché 1 (10-08B-1N), pro dvojité 2 (10-08B-2N), pro trojitě 3 (10-08B-3N).

Řetězová kola

pro válečkový řetěz 10B-1-2-3, materiál C45

S nábojem

| | | | |
|--------------|---------|---------------|-----------|
| Řetěz. kolo: | Řetěz: | | |
| r_3 | 16 mm | Rozteč | 15,875 mm |
| C | 1,6 mm | Vnitřní šířka | 9,65 mm |
| B_1 | 9,1 mm | Váleček | 10,16 mm |
| b_1 | 9 mm | | |
| B_2 | 25,5 mm | | |
| B_3 | 42,1 mm | | |



| Rozteč 5/8"x3/8" | | | | SIMPLEX | | | DUPLEX | | | TRIPLEX | | |
|------------------|------------|-------|--------|---------|----|---------|--------|----|---------|---------|----|---------|
| Objednací číslo | Počet zubů | d_e | d_p | d_m | A | D_1^* | d_m | A | D_1^* | d_m | A | D_1^* |
| 8-10B-_N | 8 | 47,0 | 41,48 | 25 | 25 | 10 | 25 | 40 | 12 | 25 | 55 | 12 |
| 9-10B-_N | 9 | 52,6 | 46,42 | 30 | 25 | 10 | 30 | 40 | 12 | 30 | 55 | 12 |
| 10-10B-_N | 10 | 57,5 | 51,37 | 35 | 25 | 10 | 35 | 40 | 12 | 35 | 55 | 16 |
| 11-10B-_N | 11 | 63,0 | 56,34 | 37 | 30 | 12 | 39 | 40 | 14 | 39 | 55 | 16 |
| 12-10B-_N | 12 | 68,0 | 61,34 | 42 | 30 | 12 | 44 | 40 | 14 | 44 | 55 | 16 |
| 13-10B-_N | 13 | 73,0 | 66,32 | 47 | 30 | 12 | 49 | 40 | 14 | 49 | 55 | 16 |
| 14-10B-_N | 14 | 78,0 | 71,34 | 52 | 30 | 12 | 54 | 40 | 14 | 54 | 55 | 16 |
| 15-10B-_N | 15 | 83,0 | 76,36 | 57 | 30 | 12 | 59 | 40 | 14 | 59 | 55 | 16 |
| 16-10B-_N | 16 | 88,0 | 81,37 | 60 | 30 | 12 | 64 | 45 | 16 | 64 | 60 | 16 |
| 17-10B-_N | 17 | 93,0 | 86,39 | 60 | 30 | 12 | 69 | 45 | 16 | 69 | 60 | 16 |
| 18-10B-_N | 18 | 98,3 | 91,42 | 70 | 30 | 14 | 74 | 45 | 16 | 74 | 60 | 16 |
| 19-10B-_N | 19 | 103,3 | 96,45 | 70 | 30 | 14 | 79 | 45 | 16 | 79 | 60 | 16 |
| 20-10B-_N | 20 | 108,4 | 101,49 | 75 | 30 | 14 | 84 | 45 | 16 | 84 | 60 | 16 |
| 21-10B-_N | 21 | 113,4 | 106,52 | 75 | 30 | 16 | 85 | 45 | 16 | 85 | 60 | 20 |
| 22-10B-_N | 22 | 118,0 | 111,55 | 80 | 30 | 16 | 90 | 45 | 16 | 90 | 60 | 20 |
| 23-10B-_N | 23 | 123,4 | 116,58 | 80 | 30 | 16 | 95 | 45 | 16 | 95 | 60 | 20 |
| 24-10B-_N | 24 | 128,3 | 121,62 | 80 | 30 | 16 | 100 | 45 | 16 | 100 | 60 | 20 |
| 25-10B-_N | 25 | 134,0 | 126,66 | 80 | 30 | 16 | 105 | 45 | 16 | 105 | 60 | 20 |
| 26-10B-_N | 26 | 139,0 | 131,70 | 85 | 35 | 20 | 110 | 45 | 20 | 110 | 60 | 20 |
| 27-10B-_N | 27 | 144,0 | 136,75 | 85 | 35 | 20 | 110 | 45 | 20 | 110 | 60 | 20 |
| 28-10B-_N | 28 | 148,7 | 141,78 | 90 | 35 | 20 | 115 | 45 | 20 | 115 | 60 | 20 |
| 29-10B-_N | 29 | 153,8 | 146,83 | 90 | 35 | 20 | 115 | 45 | 20 | 115 | 60 | 20 |
| 30-10B-_N | 30 | 158,8 | 151,87 | 90 | 35 | 20 | 120 | 45 | 20 | 120 | 60 | 20 |
| 31-10B-_N | 31 | 163,9 | 156,92 | 95 | 35 | 20 | 120 | 45 | 20 | 120 | 60 | 20 |
| 32-10B-_N | 32 | 168,9 | 161,95 | 95 | 35 | 20 | 120 | 45 | 20 | 120 | 60 | 20 |
| 33-10B-_N | 33 | 174,5 | 167,00 | 95 | 35 | 20 | 120 | 45 | 20 | 120 | 60 | 20 |
| 34-10B-_N | 34 | 179,0 | 172,05 | 95 | 35 | 20 | 120 | 45 | 20 | 120 | 60 | 20 |
| 35-10B-_N | 35 | 184,1 | 177,10 | 95 | 35 | 20 | 120 | 45 | 20 | 120 | 60 | 20 |
| 36-10B-_N | 36 | 189,1 | 182,15 | 100 | 35 | 20 | 120 | 45 | 20 | 120 | 60 | 25 |
| 37-10B-_N | 37 | 194,2 | 187,20 | 100 | 35 | 20 | 120 | 45 | 20 | 120 | 60 | 25 |
| 38-10B-_N | 38 | 199,2 | 192,24 | 100 | 35 | 20 | 120 | 45 | 20 | 120 | 60 | 25 |
| 39-10B-_N | 39 | 204,2 | 197,29 | 100 | 35 | 20 | 120 | 45 | 20 | 120 | 60 | 25 |
| 40-10B-_N | 40 | 209,3 | 202,34 | 100 | 35 | 20 | 120 | 45 | 20 | 120 | 60 | 25 |

* Hodnoty se mohou lišit.

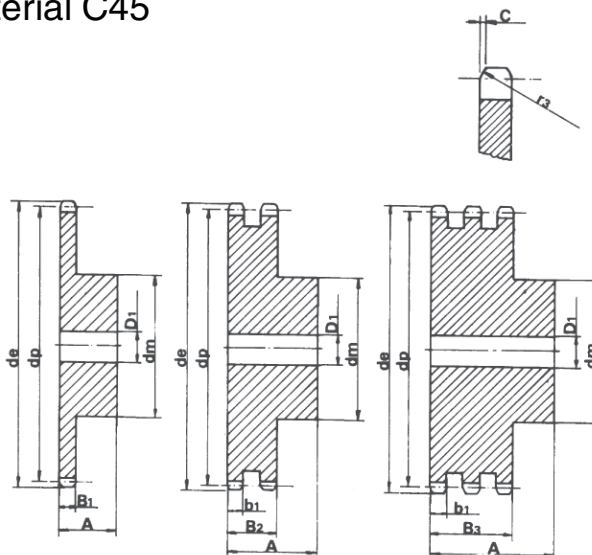
Do objednačního čísla je třeba doplnit pro kolo jednoduché 1 (10-10B-1N), pro dvojité 2 (10-10B-2N), pro trojitě 3 (10-10B-3N).

Řetězová kola

pro válečkový řetěz 12B-1-2-3, materiál C45

S nábojem

| | | | |
|---------------|---------------|----------|--|
| Řetěz. kolo: | Řetěz: | | |
| r_3 19 mm | Rozteč | 19,05 mm | |
| C 2 mm | Vnitřní šířka | 11,68 mm | |
| B_1 11,1 mm | Váleček | 12,07 mm | |
| b_1 10,8 mm | | | |
| B_2 30,3 mm | | | |
| B_3 49,8 mm | | | |



| Rozteč 3/4"x7/16" | | | | SIMPLEX | | | DUPLEX | | | TRIPLEX | | |
|-------------------|------------|-------|--------|---------|----|---------|--------|----|---------|---------|----|---------|
| Objednáací číslo | Počet zubů | d_e | d_p | d_m | A | D_1^* | d_m | A | D_1^* | d_m | A | D_1^* |
| 8-12B-_N | 8 | 57,6 | 49,78 | 31 | 30 | 12 | 31 | 45 | 12 | 31 | 65 | 16 |
| 9-12B-_N | 9 | 62,0 | 55,70 | 37 | 30 | 12 | 37 | 45 | 12 | 37 | 65 | 16 |
| 10-12B-_N | 10 | 69,0 | 61,64 | 42 | 30 | 12 | 42 | 45 | 12 | 42 | 65 | 16 |
| 11-12B-_N | 11 | 75,0 | 67,61 | 46 | 35 | 14 | 47 | 50 | 16 | 47 | 70 | 20 |
| 12-12B-_N | 12 | 81,5 | 73,61 | 52 | 35 | 14 | 53 | 50 | 16 | 53 | 70 | 20 |
| 13-12B-_N | 13 | 87,5 | 79,59 | 58 | 35 | 14 | 59 | 50 | 16 | 59 | 70 | 20 |
| 14-12B-_N | 14 | 93,6 | 85,61 | 64 | 35 | 14 | 65 | 50 | 16 | 65 | 70 | 20 |
| 15-12B-_N | 15 | 99,8 | 91,63 | 70 | 35 | 14 | 71 | 50 | 16 | 71 | 70 | 20 |
| 16-12B-_N | 16 | 105,5 | 97,65 | 75 | 35 | 16 | 77 | 50 | 20 | 77 | 70 | 20 |
| 17-12B-_N | 17 | 111,5 | 103,67 | 80 | 35 | 16 | 83 | 50 | 20 | 83 | 70 | 20 |
| 18-12B-_N | 18 | 118,0 | 109,71 | 80 | 35 | 16 | 89 | 50 | 20 | 89 | 70 | 20 |
| 19-12B-_N | 19 | 124,2 | 115,75 | 80 | 35 | 16 | 95 | 50 | 20 | 95 | 70 | 20 |
| 20-12B-_N | 20 | 129,7 | 121,78 | 80 | 35 | 16 | 100 | 50 | 20 | 100 | 70 | 20 |
| 21-12B-_N | 21 | 136,0 | 127,82 | 90 | 40 | 20 | 100 | 50 | 20 | 100 | 70 | 20 |
| 22-12B-_N | 22 | 141,8 | 133,86 | 90 | 40 | 20 | 100 | 50 | 20 | 100 | 70 | 20 |
| 23-12B-_N | 23 | 149,0 | 139,90 | 90 | 40 | 20 | 110 | 50 | 20 | 110 | 70 | 20 |
| 24-12B-_N | 24 | 153,9 | 145,94 | 90 | 40 | 20 | 110 | 50 | 20 | 110 | 70 | 20 |
| 25-12B-_N | 25 | 160,0 | 152,00 | 90 | 40 | 20 | 120 | 50 | 20 | 120 | 70 | 20 |
| 26-12B-_N | 26 | 165,9 | 158,04 | 95 | 40 | 20 | 120 | 50 | 20 | 120 | 70 | 20 |
| 27-12B-_N | 27 | 172,3 | 164,09 | 95 | 40 | 20 | 120 | 50 | 20 | 120 | 70 | 20 |
| 28-12B-_N | 28 | 178,0 | 170,13 | 95 | 40 | 20 | 120 | 50 | 20 | 120 | 70 | 20 |
| 29-12B-_N | 29 | 184,1 | 176,19 | 95 | 40 | 20 | 120 | 50 | 20 | 120 | 70 | 20 |
| 30-12B-_N | 30 | 190,5 | 182,25 | 95 | 40 | 20 | 120 | 50 | 20 | 120 | 70 | 20 |
| 31-12B-_N | 31 | 196,3 | 188,31 | 100 | 40 | 20 | 130 | 50 | 20 | 130 | 70 | 25 |
| 32-12B-_N | 32 | 203,3 | 194,35 | 100 | 40 | 20 | 130 | 50 | 20 | 130 | 70 | 25 |
| 33-12B-_N | 33 | 209,3 | 200,40 | 100 | 40 | 20 | 130 | 50 | 20 | 130 | 70 | 25 |
| 34-12B-_N | 34 | 214,6 | 206,46 | 100 | 40 | 20 | 130 | 50 | 20 | 130 | 70 | 25 |
| 35-12B-_N | 35 | 221,0 | 212,52 | 100 | 40 | 20 | 130 | 50 | 20 | 130 | 70 | 25 |
| 36-12B-_N | 36 | 226,8 | 218,58 | 100 | 40 | 20 | 130 | 50 | 25 | 130 | 70 | 25 |
| 37-12B-_N | 37 | 232,9 | 224,64 | 100 | 40 | 20 | 130 | 50 | 25 | 130 | 70 | 25 |
| 38-12B-_N | 38 | 239,0 | 230,69 | 100 | 40 | 20 | 130 | 50 | 25 | 130 | 70 | 25 |
| 39-12B-_N | 39 | 245,1 | 236,75 | 100 | 40 | 20 | 130 | 50 | 25 | 130 | 70 | 25 |
| 40-12B-_N | 40 | 251,3 | 242,81 | 100 | 40 | 20 | 130 | 50 | 25 | 130 | 70 | 25 |

* Hodnoty se mohou lišit.

Do objednáacího čísla je třeba doplnit pro kolo jednoduché 1 (10-12B-1N), pro dvojité 2 (10-12B-2N), pro trojitě 3 (10-12B-3N).

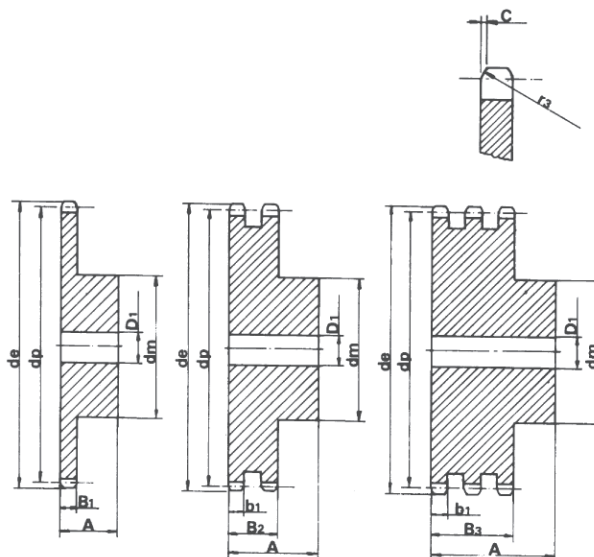
Řetězová kola

pro válečkový řetěz 16B-1-2-3, materiál C45

S nábojem

Řetěz. kolo: Řetěz:

| | | | |
|-------|---------|---------------|----------|
| r_3 | 26 mm | Rozteč | 25,4 mm |
| C | 2,5 mm | Vnitřní šířka | 17,02 mm |
| B_1 | 16,2 mm | Váleček | 15,88 mm |
| b_1 | 15,8 mm | | |
| B_2 | 47,7 mm | | |
| B_3 | 79,6 mm | | |



| Rozteč 1"x17,02 | | | | SIMPLEX | | | DUPLEX | | | TRIPLEX | | |
|-----------------|------------|-------|--------|---------|----|------------|--------|----|------------|---------|-----|------------|
| Objednací číslo | Počet zubů | d_e | d_p | d_m | A | D_1^{**} | d_m | A | D_1^{**} | d_m | A | D_1^{**} |
| 8-16B-_N | 8 | 77,0 | 66,37 | 42 | 35 | 16 | 42 | 65 | 16 | 42 | 95 | 20 |
| 9-16B-_N | 9 | 85,0 | 74,27 | 50 | 35 | 16 | 50 | 65 | 16 | 50 | 95 | 20 |
| 10-16B-_N | 10 | 93,0 | 82,19 | 55 | 35 | 16 | 56 | 65 | 16 | 56 | 95 | 20 |
| 11-16B-_N | 11 | 99,5 | 90,14 | 61 | 40 | 16 | 64 | 70 | 20 | 64 | 100 | 25 |
| 12-16B-_N | 12 | 109,0 | 98,14 | 69 | 40 | 16 | 72 | 70 | 20 | 72 | 100 | 25 |
| 13-16B-_N | 13 | 117,0 | 106,12 | 78 | 40 | 16 | 80 | 70 | 20 | 80 | 100 | 25 |
| 14-16B-_N | 14 | 125,0 | 114,15 | 84 | 40 | 16 | 88 | 70 | 20 | 88 | 100 | 25 |
| 15-16B-_N | 15 | 133,0 | 122,17 | 92 | 40 | 16 | 96 | 70 | 20 | 96 | 100 | 25 |
| 16-16B-_N | 16 | 141,0 | 130,20 | 100 | 45 | 20 | 104 | 70 | 20 | 104 | 100 | 30 |
| 17-16B-_N | 17 | 149,0 | 138,22 | 100 | 45 | 20 | 112 | 70 | 20 | 112 | 100 | 30 |
| 18-16B-_N | 18 | 157,0 | 146,28 | 100 | 45 | 20 | 120 | 70 | 20 | 120 | 100 | 30 |
| 19-16B-_N | 19 | 165,2 | 154,33 | 100 | 45 | 20 | 128 | 70 | 20 | 128 | 100 | 30 |
| 20-16B-_N | 20 | 173,2 | 162,38 | 100 | 45 | 20 | 130 | 70 | 20 | 130 | 100 | 30 |
| 21-16B-_N | 21 | 181,2 | 170,43 | 110 | 50 | 20 | 130 | 70 | 25 | *130 | 100 | 30 |
| 22-16B-_N | 22 | 189,3 | 178,48 | 110 | 50 | 20 | *130 | 70 | 25 | *130 | 100 | 30 |
| 23-16B-_N | 23 | 197,5 | 186,53 | 110 | 50 | 20 | *130 | 70 | 25 | *130 | 100 | 30 |
| 24-16B-_N | 24 | 205,5 | 194,59 | 110 | 50 | 20 | *130 | 70 | 25 | *130 | 100 | 30 |
| 25-16B-_N | 25 | 213,5 | 202,66 | 110 | 50 | 20 | *130 | 70 | 25 | *130 | 100 | 30 |
| 26-16B-_N | 26 | 221,6 | 210,72 | 120 | 50 | 20 | *130 | 70 | 25 | *130 | 100 | 30 |
| 27-16B-_N | 27 | 229,6 | 218,79 | 120 | 50 | 20 | *130 | 70 | 25 | *130 | 100 | 30 |
| 28-16B-_N | 28 | 237,7 | 226,85 | 120 | 50 | 20 | *130 | 70 | 25 | *130 | 100 | 30 |
| 29-16B-_N | 29 | 245,8 | 234,92 | 120 | 50 | 20 | *130 | 70 | 25 | *130 | 100 | 30 |
| 30-16B-_N | 30 | 254,0 | 243,00 | 120 | 50 | 20 | *130 | 70 | 25 | *130 | 100 | 30 |
| 31-16B-_N | 31 | 262,0 | 251,08 | *120 | 50 | 25 | *140 | 70 | 25 | *140 | 100 | 30 |
| 32-16B-_N | 32 | 270,0 | 259,13 | *120 | 50 | 25 | *140 | 70 | 25 | *140 | 100 | 30 |
| 33-16B-_N | 33 | 278,5 | 267,21 | *120 | 50 | 25 | *140 | 70 | 25 | *140 | 100 | 30 |
| 34-16B-_N | 34 | 287,0 | 275,28 | *120 | 50 | 25 | *140 | 70 | 25 | *140 | 100 | 30 |
| 35-16B-_N | 35 | 296,2 | 283,36 | *120 | 50 | 25 | *140 | 70 | 25 | *140 | 100 | 30 |
| 36-16B-_N | 36 | 304,6 | 291,44 | *120 | 50 | 25 | *140 | 70 | 25 | *140 | 100 | 30 |
| 37-16B-_N | 37 | 312,6 | 299,51 | *120 | 50 | 25 | *140 | 70 | 25 | *140 | 100 | 30 |
| 38-16B-_N | 38 | 320,7 | 307,59 | *120 | 50 | 25 | *140 | 70 | 25 | *140 | 100 | 30 |
| 39-16B-_N | 39 | 328,8 | 315,67 | *120 | 50 | 25 | *140 | 70 | 25 | *140 | 100 | 30 |
| 40-16B-_N | 40 | 336,9 | 323,75 | *120 | 50 | 25 | *140 | 70 | 25 | *140 | 100 | 30 |

* Materiál: ocel - s navařeným nábojem

** Hodnoty se mohou lišit.

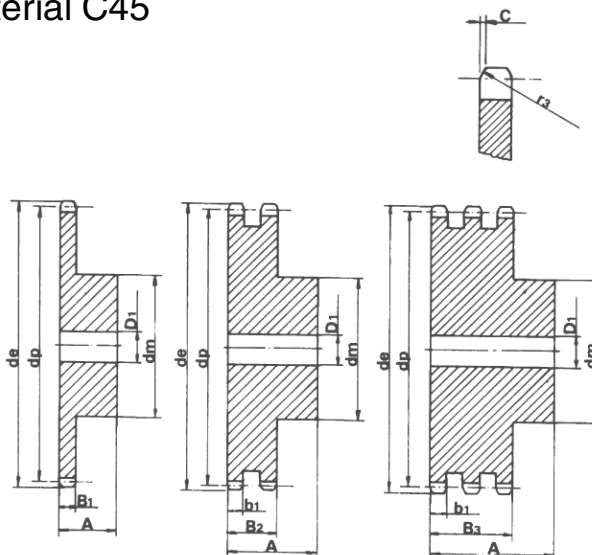
Do objednačního čísla je třeba doplnit pro kolo jednoduché 1 (10-16B-1N), pro dvojité 2 (10-16B-2N), pro trojitě 3 (10-16B-3N).

Řetězová kola

pro válečkový řetěz 20B-1-2-3, materiál C45

S nábojem

| | | | |
|---------------|---------------|----------|--|
| Řetěz. kolo: | Řetěz: | | |
| r_3 32 mm | Rozteč | 31,75 mm | |
| C 3,5 mm | Vnitřní šířka | 19,56 mm | |
| B_1 18,5 mm | Váleček | 19,05 mm | |
| b_1 18,2 mm | | | |
| B_2 54,6 mm | | | |
| B_3 91 mm | | | |



| Rozteč 1"1/4x3/4" | | | | SIMPLEX | | | DUPLEX | | | TRIPLEX | | |
|-------------------|------------|-------|--------|---------|----|------------|--------|----|------------|---------|-----|------------|
| Objednáací číslo | Počet zubů | d_e | d_p | d_m | A | D_1^{**} | d_m | A | D_1^{**} | d_m | A | D_1^{**} |
| 8-20B-_N | 8 | 98,1 | 82,96 | 53 | 40 | 20 | 53 | 75 | 20 | 53 | 110 | 20 |
| 9-20B-_N | 9 | 108,0 | 92,84 | 63 | 40 | 20 | 63 | 75 | 20 | 63 | 110 | 20 |
| 10-20B-_N | 10 | 117,9 | 102,74 | 70 | 40 | 20 | 70 | 75 | 20 | 70 | 110 | 20 |
| 11-20B-_N | 11 | 127,8 | 112,68 | 77 | 45 | 20 | 80 | 80 | 20 | 80 | 115 | 20 |
| 12-20B-_N | 12 | 137,8 | 122,68 | 88 | 45 | 20 | 90 | 80 | 20 | 90 | 115 | 20 |
| 13-20B-_N | 13 | 147,8 | 132,65 | 98 | 45 | 20 | 100 | 80 | 20 | 100 | 115 | 20 |
| 14-20B-_N | 14 | 157,8 | 142,68 | 108 | 45 | 20 | 110 | 80 | 20 | 110 | 115 | 20 |
| 15-20B-_N | 15 | 167,9 | 152,72 | 118 | 45 | 20 | 120 | 80 | 20 | 120 | 115 | 20 |
| 16-20B-_N | 16 | 177,9 | 162,75 | 120 | 50 | 25 | 120 | 80 | 25 | 120 | 115 | 25 |
| 17-20B-_N | 17 | 187,9 | 172,78 | 120 | 50 | 25 | 120 | 80 | 25 | 120 | 115 | 25 |
| 18-20B-_N | 18 | 198,0 | 182,85 | 120 | 50 | 25 | *120 | 80 | 25 | *120 | 115 | 25 |
| 19-20B-_N | 19 | 208,1 | 192,91 | 120 | 50 | 25 | *120 | 80 | 25 | *120 | 115 | 25 |
| 20-20B-_N | 20 | 218,1 | 202,98 | 120 | 50 | 25 | *120 | 80 | 25 | *120 | 115 | 25 |
| 21-20B-_N | 21 | 228,2 | 213,04 | 140 | 55 | 25 | *140 | 80 | 25 | *140 | 115 | 25 |
| 22-20B-_N | 22 | 238,3 | 223,11 | 140 | 55 | 25 | *140 | 80 | 25 | *140 | 115 | 25 |
| 23-20B-_N | 23 | 248,3 | 233,17 | 140 | 55 | 25 | *140 | 80 | 25 | *140 | 115 | 25 |
| 24-20B-_N | 24 | 258,4 | 243,23 | 140 | 55 | 25 | *140 | 80 | 25 | *140 | 115 | 25 |
| 25-20B-_N | 25 | 268,5 | 253,33 | 140 | 55 | 25 | *140 | 80 | 25 | *140 | 115 | 25 |
| 26-20B-_N | 26 | 278,6 | 263,40 | *150 | 55 | 25 | *150 | 80 | 25 | *150 | 115 | 25 |
| 27-20B-_N | 27 | 288,6 | 273,49 | *150 | 55 | 25 | *150 | 80 | 25 | *150 | 115 | 25 |
| 28-20B-_N | 28 | 298,7 | 283,56 | *150 | 55 | 25 | *150 | 80 | 25 | *150 | 115 | 25 |
| 29-20B-_N | 29 | 308,8 | 293,65 | *150 | 55 | 25 | *150 | 80 | 25 | *150 | 115 | 25 |
| 30-20B-_N | 30 | 318,9 | 303,75 | *150 | 55 | 25 | *150 | 80 | 25 | *150 | 115 | 25 |
| 31-20B-_N | 31 | 329,0 | 313,85 | *160 | 55 | 25 | *150 | 80 | 25 | *150 | 115 | 30 |
| 32-20B-_N | 32 | 339,1 | 323,91 | *160 | 55 | 25 | *150 | 80 | 25 | *150 | 115 | 30 |
| 33-20B-_N | 33 | 349,2 | 334,01 | *160 | 55 | 25 | *150 | 80 | 25 | *150 | 115 | 30 |
| 34-20B-_N | 34 | 359,3 | 344,10 | *160 | 55 | 25 | *150 | 80 | 25 | *150 | 115 | 30 |
| 35-20B-_N | 35 | 369,4 | 354,20 | *160 | 55 | 25 | *150 | 80 | 25 | *150 | 115 | 30 |
| 36-20B-_N | 36 | 379,5 | 364,30 | *160 | 55 | 25 | *150 | 80 | 30 | *150 | 115 | 30 |
| 37-20B-_N | 37 | 389,5 | 374,39 | *160 | 55 | 25 | *150 | 80 | 30 | *150 | 115 | 30 |
| 38-20B-_N | 38 | 399,6 | 384,49 | *160 | 55 | 25 | *150 | 80 | 30 | *150 | 115 | 30 |
| 39-20B-_N | 39 | 409,7 | 394,59 | *160 | 55 | 25 | *150 | 80 | 30 | *150 | 115 | 30 |
| 40-20B-_N | 40 | 419,8 | 404,69 | *160 | 55 | 25 | *150 | 80 | 30 | *150 | 115 | 30 |

* Materiál: ocel - s navařeným nábojem

**Hodnoty se mohou lišit.

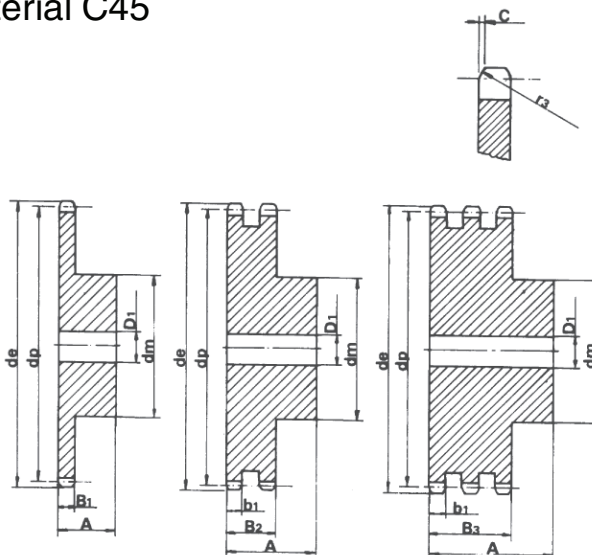
Do objednáacího čísla je třeba doplnit pro kolo jednoduché 1 (10-20B-1N), pro dvojité 2 (10-20B-2N), pro trojitě 3 (10-20B-3N).

Řetězová kola

pro válečkový řetěz 24B-1-2-3, materiál C45

S nábojem

| | | | |
|----------------|---------------|---------|--|
| Řetěz. kolo: | Řetěz: | | |
| r_3 38 mm | Rozteč | 38,1 mm | |
| C 4 mm | Vnitřní šířka | 25,4 mm | |
| B_1 24,1 mm | Váleček | 25,4 mm | |
| b_1 23,6 mm | | | |
| B_2 72 mm | | | |
| B_3 120,3 mm | | | |



| Rozteč 1"1/2x1" | | | | SIMPLEX | | | DUPLEX | | | TRIPLEX | | |
|-----------------|------------|-------|--------|---------|----|------------|--------|-----|------------|---------|-----|------------|
| Objednací číslo | Počet zubů | d_e | d_p | d_m | A | D_1^{**} | d_m | A | D_1^{**} | d_m | A | D_1^{**} |
| 8-24B-_N | 8 | 115,0 | 99,55 | 58 | 45 | 20 | 58 | 95 | 25 | 58 | 140 | 25 |
| 9-24B-_N | 9 | 126,4 | 111,40 | 70 | 45 | 20 | 70 | 95 | 25 | 70 | 140 | 25 |
| 10-24B-_N | 10 | 138,0 | 123,29 | 80 | 45 | 20 | 80 | 95 | 25 | 80 | 140 | 25 |
| 11-24B-_N | 11 | 150,0 | 135,21 | 90 | 50 | 25 | 90 | 100 | 25 | 90 | 150 | 25 |
| 12-24B-_N | 12 | 162,0 | 147,22 | 102 | 50 | 25 | 102 | 100 | 25 | 102 | 150 | 25 |
| 13-24B-_N | 13 | 174,2 | 159,18 | 114 | 50 | 25 | 114 | 100 | 25 | 114 | 150 | 25 |
| 14-24B-_N | 14 | 186,2 | 171,22 | 128 | 50 | 25 | 128 | 100 | 25 | 128 | 150 | 25 |
| 15-24B-_N | 15 | 198,2 | 183,26 | 140 | 50 | 25 | 140 | 100 | 25 | 140 | 150 | 25 |
| 16-24B-_N | 16 | 210,3 | 195,30 | *140 | 55 | 25 | *140 | 100 | 25 | *140 | 150 | 25 |
| 17-24B-_N | 17 | 222,3 | 207,34 | *140 | 55 | 25 | *150 | 100 | 25 | *150 | 150 | 25 |
| 18-24B-_N | 18 | 234,3 | 219,42 | *140 | 55 | 25 | *160 | 100 | 25 | *160 | 150 | 25 |
| 19-24B-_N | 19 | 246,5 | 231,49 | *140 | 55 | 25 | *160 | 100 | 25 | *160 | 150 | 25 |
| 20-24B-_N | 20 | 258,6 | 243,57 | *140 | 55 | 25 | *160 | 100 | 25 | *160 | 150 | 25 |
| 21-24B-_N | 21 | 270,6 | 255,65 | *150 | 60 | 25 | *160 | 100 | 25 | *160 | 150 | 30 |
| 22-24B-_N | 22 | 282,7 | 267,73 | *150 | 60 | 25 | *160 | 100 | 25 | *160 | 150 | 30 |
| 23-24B-_N | 23 | 294,8 | 279,80 | *150 | 60 | 25 | *160 | 100 | 25 | *160 | 150 | 30 |
| 24-24B-_N | 24 | 306,8 | 291,88 | *150 | 60 | 25 | *160 | 100 | 25 | *160 | 150 | 30 |
| 25-24B-_N | 25 | 319,0 | 304,00 | *150 | 60 | 25 | *160 | 100 | 25 | *160 | 150 | 30 |
| 26-24B-_N | 26 | 331,0 | 316,08 | *160 | 60 | 30 | *160 | 100 | 30 | *160 | 150 | 30 |
| 27-24B-_N | 27 | 343,2 | 328,19 | *160 | 60 | 30 | *160 | 100 | 30 | *160 | 150 | 30 |
| 28-24B-_N | 28 | 355,2 | 340,27 | *160 | 60 | 30 | *160 | 100 | 30 | *160 | 150 | 30 |
| 29-24B-_N | 29 | 367,3 | 352,38 | *160 | 60 | 30 | *160 | 100 | 30 | *160 | 150 | 30 |
| 30-24B-_N | 30 | 379,5 | 364,50 | *160 | 60 | 30 | *160 | 100 | 30 | *160 | 150 | 40 |
| 31-24B-_N | 31 | 391,6 | 376,62 | *160 | 60 | 30 | *170 | 100 | 30 | | | |
| 32-24B-_N | 32 | 403,7 | 388,69 | *160 | 60 | 30 | *170 | 100 | 30 | *170 | 150 | 40 |
| 33-24B-_N | 33 | 415,8 | 400,81 | *160 | 60 | 30 | *170 | 100 | 30 | *170 | 150 | 40 |
| 34-24B-_N | 34 | 427,8 | 412,93 | *160 | 60 | 30 | *170 | 100 | 30 | *170 | 150 | 40 |
| 35-24B-_N | 35 | 440,0 | 425,04 | *160 | 60 | 30 | *170 | 100 | 30 | *170 | 150 | 40 |
| 36-24B-_N | 36 | 452,0 | 437,16 | *160 | 60 | 30 | *170 | 100 | 30 | *170 | 150 | 40 |
| 37-24B-_N | 37 | 464,2 | 449,27 | *160 | 60 | 30 | *170 | 100 | 30 | | | |
| 38-24B-_N | 38 | 476,2 | 461,39 | *160 | 60 | 30 | *170 | 100 | 30 | *170 | 150 | 40 |
| 39-24B-_N | 39 | 488,5 | 473,50 | *160 | 60 | 30 | *170 | 100 | 30 | | | |
| 40-24B-_N | 40 | 500,6 | 485,62 | *160 | 60 | 30 | *170 | 100 | 30 | *170 | 150 | 40 |

* Materiál: ocel - s navařeným nábojem

** Hodnoty se mohou lišit.

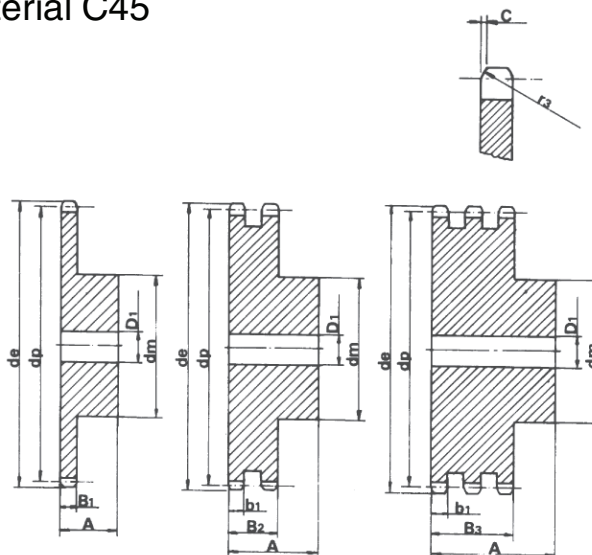
Do objednacního čísla je třeba doplnit pro kolo jednoduché 1 (10-24B-1N), pro dvojité 2 (10-24B-2N), pro trojitě 3 (10-24B-3N).

Řetězová kola

pro válečkový řetěz 28B-1-2-3, materiál C45

S nábojem

| | | | |
|--------------|---------|---------------|----------|
| Řetěz. kolo: | Řetěz: | | |
| r_3 | 44 mm | Rozteč | 44,45 mm |
| C | 5 mm | Vnitřní šířka | 30,99 mm |
| B_1 | 29,4 mm | Váleček | 27,94 mm |
| b_1 | 28,8 mm | | |
| B_2 | 88,4 mm | | |
| B_3 | 148 mm | | |



| Rozteč 1 ³ / ₄ x1 ¹ / ₄ | | | | SIMPLEX | | | DUPLEX | | | TRIPLEX | | |
|---|------------|-------|--------|---------|----|------------|--------|-----|------------|---------|-----|------------|
| Objednací číslo | Počet zubů | d_e | d_p | d_m | A | D_1^{**} | d_m | A | D_1^{**} | d_m | A | D_1^{**} |
| 8-28B-_N | 8 | 132,0 | 116,15 | 74 | 70 | 25 | 74 | 120 | 25 | 74 | 180 | 30 |
| 9-28B-_N | 9 | 148,4 | 129,96 | 88 | 70 | 25 | 88 | 120 | 25 | 88 | 180 | 30 |
| 10-28B-_N | 10 | 162,3 | 143,85 | 100 | 70 | 25 | 100 | 120 | 25 | 100 | 180 | 30 |
| 11-28B-_N | 11 | 176,3 | 157,77 | 112 | 70 | 25 | 112 | 120 | 25 | 112 | 180 | 30 |
| 12-28B-_N | 12 | 189,5 | 171,74 | 125 | 70 | 25 | 125 | 120 | 25 | 125 | 180 | 30 |
| 13-28B-_N | 13 | 204,2 | 185,75 | *130 | 70 | 25 | *130 | 120 | 25 | *130 | 180 | 30 |
| 14-28B-_N | 14 | 218,2 | 199,76 | *130 | 70 | 25 | *130 | 120 | 25 | *130 | 180 | 30 |
| 15-28B-_N | 15 | 232,3 | 213,79 | *145 | 70 | 25 | *145 | 120 | 25 | *145 | 180 | 30 |
| 16-28B-_N | 16 | 246,3 | 227,84 | *160 | 75 | 30 | *160 | 120 | 30 | *160 | 180 | 30 |
| 17-28B-_N | 17 | 260,0 | 241,91 | *160 | 75 | 30 | *160 | 120 | 30 | *160 | 180 | 30 |
| 18-28B-_N | 18 | 274,0 | 255,98 | *160 | 75 | 30 | *160 | 120 | 30 | *160 | 180 | 30 |
| 19-28B-_N | 19 | 289,0 | 270,06 | *160 | 75 | 30 | *180 | 120 | 30 | *180 | 180 | 30 |
| 20-28B-_N | 20 | 303,0 | 284,15 | *160 | 75 | 30 | *180 | 120 | 30 | *180 | 180 | 30 |
| 21-28B-_N | 21 | 317,0 | 298,24 | *170 | 75 | 30 | *180 | 120 | 30 | *180 | 180 | 30 |
| 22-28B-_N | 22 | 331,0 | 312,34 | *170 | 75 | 30 | *180 | 120 | 30 | *180 | 180 | 30 |
| 23-28B-_N | 23 | 345,0 | 326,44 | *170 | 75 | 30 | *180 | 120 | 30 | *180 | 180 | 30 |
| 24-28B-_N | 24 | 359,0 | 340,55 | *170 | 75 | 30 | *180 | 120 | 30 | *180 | 180 | 30 |
| 25-28B-_N | 25 | 373,0 | 354,66 | *170 | 75 | 30 | *180 | 120 | 30 | *180 | 180 | 40 |
| 26-28B-_N | 26 | 387,0 | 368,77 | *170 | 75 | 30 | *180 | 120 | 30 | *180 | 180 | 40 |
| 27-28B-_N | 27 | 401,4 | 382,88 | *170 | 75 | 30 | *180 | 120 | 30 | *180 | 180 | 40 |
| 28-28B-_N | 28 | 416,0 | 397,00 | *170 | 75 | 30 | *180 | 120 | 30 | *180 | 180 | 40 |
| 29-28B-_N | 29 | 430,0 | 411,12 | *170 | 75 | 30 | *180 | 120 | 30 | | | |
| 30-28B-_N | 30 | 444,0 | 425,24 | *170 | 75 | 30 | *180 | 120 | 30 | *180 | 180 | 40 |
| 31-28B-1N | 31 | 458,0 | 439,37 | *180 | 75 | 30 | | | | | | |
| 32-28B-1N | 32 | 472,0 | 453,49 | *180 | 75 | 30 | | | | | | |
| 33-28B-1N | 33 | 486,0 | 467,62 | *180 | 75 | 30 | | | | | | |
| 34-28B-1N | 34 | 500,0 | 481,75 | *180 | 75 | 30 | | | | | | |
| 35-28B-_N | 35 | 514,0 | 495,88 | *180 | 75 | 30 | *200 | 120 | 30 | *200 | 180 | 40 |
| 36-28B-1N | 36 | 529,0 | 510,01 | *180 | 75 | 30 | | | | | | |
| 37-28B-1N | 37 | 543,0 | 524,14 | *180 | 75 | 30 | | | | | | |
| 38-28B-_N | 38 | 557,0 | 538,27 | *180 | 75 | 30 | *200 | 120 | 30 | *200 | 180 | 40 |
| 39-28B-1N | 39 | 571,0 | 552,40 | *180 | 75 | 30 | | | | | | |
| 40-28B-_N | 40 | 585,0 | 566,54 | *180 | 75 | 30 | *200 | 120 | 30 | *200 | 180 | 40 |

* Materiál: ocel - s navařeným nábojem

**Hodnoty se mohou lišit.

Do objednáčích čísla je třeba doplnit pro kolo jednoduché 1 (10-28B-1N), pro dvojité 2 (10-28B-2N), pro trojitě 3 (10-28B-3N).